



Date: 23-02-2017

Place: TIRANA

Knowledge FOr Resilient soCiEty

**Defining timeframe, expectations and content for
upcoming K-FORCE events in 2017**

UNIVERSITY OF NOVI SAD



Co-funded by the
Erasmus+ Programme
of the European Union



The European Commission support for the production of this publication does not constitute an endorsement of the contents which reflects the views only of the authors, and the Commission cannot be held responsible for any use which may be made of the information contained therein.



Event

STUDY VISIT AND TRAINING

Location

Aalborg University, AAL (Denmark)

Date

April 2017 (Date ???-must be defined in Tirana)

Structure of Visit

2 days of Meetings

+

2 days of Training

Steering Committee Meeting

WG3 Meeting

EU and WBC progress meeting

Training WBC teaching staff

Number of persons

3/WB HEIs

1/others

Number of days

6/WBC

3/others (optional + 1 day on the bases of savings
from some future travel expences...)



CONTENT OF EVENT (AAL) 1st and 2nd day of the meeting

Study visit to AAL HEI

WG1 Task 1.2 Report on WBC needs for DRM&FSE MPs and learning outcomes **(final version of joint report due : 15-05-2017)**

- Survey report (EYP/NUZOP/PRDM/Ministry of B&H/UCCIA) / presentation of conducted surveys of children, youth and professionals – EYP/NUZOP-draft version

WG1 Task 1.3 Presentation of developed DRM&FSE MPs Curricula **(final version of joint report due : 15-05-2017)**

- Presentation of modernized/developed MP curricula and syllabi drafts – P1-P6-draft version



CONTENT OF EVENT (AAL) 3rd and 4th day of the meeting

WG2 Task 2.1 Report on WB needs and EU trends in DRM&FSE PhD

(final version of joint report due : 15-06-2017)

- Presentation of Final version of Questionnaire for Students
- Report on WB needs and EU trends in DRM&FSE PhD to be prepared for DTU/Lund visit

Co-funded by the
Erasmus+ Programme
of the European Union



CONTENT OF EVENT (AAL) 3rd and 4th day of the meeting

Training WBC teaching staff

WG3 Task 3.3 Train the WBC teaching staff on both DRM&FSE topics and b-learning methodologies

- **Partners will be divided in two training groups:**
- **1st group: Training for teaching staff (P1-P6) for implementing new teaching methods and specific issues in field of DRM&FSE;**
- **2nd group: Skills development training (training on how to make courses for specific target groups);**

****Host Institution (ALL) should prepare the structure of study visit and training part***

Co-funded by the
Erasmus+ Programme
of the European Union



CONTENT OF EVENT (AAL)

WG6 Task 6.1 Report on WBC needs for LLL courses

(final version of joint report due : 15-05-2017)

- Presentation of Report on needs for LLL courses in WBC – P1-P6/P12-P16-draft version
- Presentation of Report on needs for improvement in DRM&FSE human resources, competences and skills – P7-P11

Presentation of Special Mobility Strand – P1

- Scheme, official documents, etc...

Define preliminary list of authors and papers for **KNOWLEDGE FOR RESILIENT SOCIETY K-FORCE 2017 Symposium** that will be held in September 2017 in Novi Sad.

Deadline for abstract 7 days before meeting in DTU

Co-funded by the
Erasmus+ Programme
of the European Union





Event

STUDY VISIT

Location

Technical University of Denmark, DTU (Denmark)
Lund University, LU (Sweden)

Date

June 2017 (Date - ???)

Structure of Visit

(to be defined)

WG1 Meeting

WG2 Meeting

Training/Workshop/Study visit

Number of persons

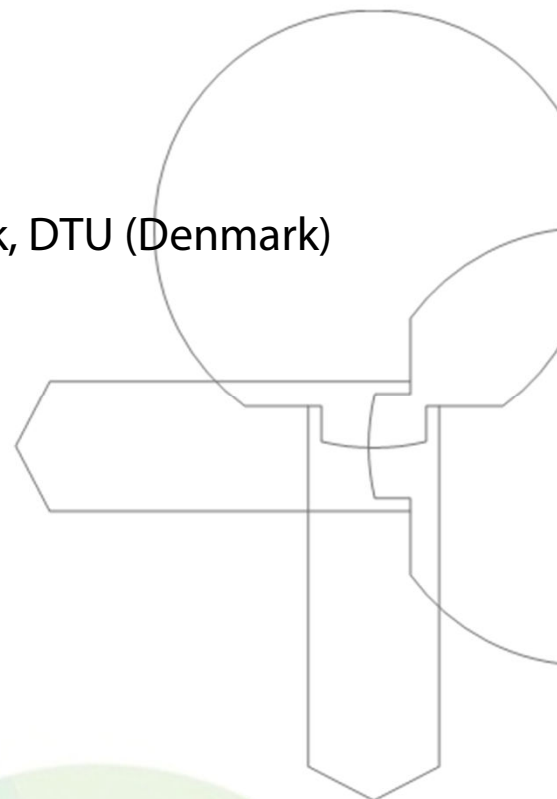
3 /HEIs

2/non-academic

Number of days

6/WBC

3/others (optional + 1 day on the bases of savings
from some future travel expences...)



CONTENT OF EVENT (LU and DTU)

Study visits to LU and DTU HEIs

WG2 Task 2.2 Report on teaching staff resources for MPs and PhD in WBC

(final version of joint report due : 30-07-2017)

- Presentation of Integrated Report on competent teaching staff resources for DRM&FSE PhD in WBC, as well as on shortages in their number or skills – P1-P6 –draft version

WG2 Task 2.3 Report on compared PhD models and curricula-draft

(final version of joint report due :30-07-2017)

WG6 Task 6.2 Report on defined LLL outcomes

(final version of joint report due : 15-07-2017)

- LLL outcomes in WBC / Joint discussion

Co-funded by the
Erasmus+ Programme
of the European Union



CONTENT OF EVENT (LU and DTU)

WG8 Task 8.3 Open/maintain e-library public access area

- Presentation of Report on K-FORCE e-library – P1

Special Mobility Strand – prepare inter-institutional agreements

Define final list of authors and papers for **KNOWLEDGE FOR RESILIENT SOCIETY K-FORCE 2017 Symposium** that will be held in September 2017 in Novi Sad.

Co-funded by the
Erasmus+ Programme
of the European Union





Event

K-FORCE 1 SYMPOSIUM

Location

University of Novi Sad (Serbia)

Date

September 2017

Meetings

Consortium Meeting

Steering Committee Meeting

Western Balkans Board Meeting

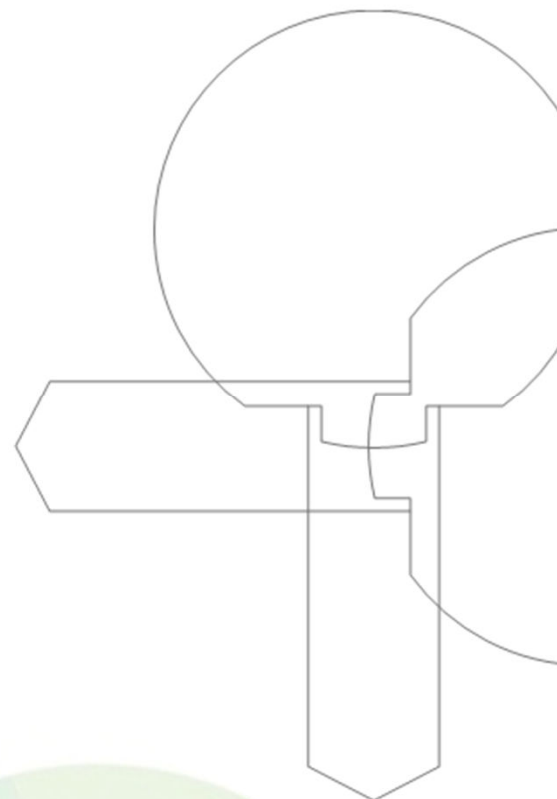
Number of persons

3/partner

Number of days

5/WBC

4/others



CONTENT OF EVENT (UNS)

The 1st Symposium: KNOWLEDGE FOR RESILIENT SOCIETY K-FORCE 2017 (P1, P2, P13 and P14)

- The needs and expected skills and knowledge to build a secure and resilient society will be presented in the form of essays on the need for HE in the field of DRM&FSE (P1-P11 and invited lectures);
- Presentation of the skills and necessary qualifications of experts in the opinion of the professional experts (P12, P13, P15, P16 and invited lectures);
- Necessity for education of children and youth (P14 invited lectures).

Co-funded by the
Erasmus+ Programme
of the European Union



CONTENT OF EVENT (UNS)

WG1 Task 1.4 Procure, install and activate the equipment

(foreseen due date: 15-10-2017)

- Presentation of created laboratories and equipment – P1-P6

WG2 Task 2.4 Presentation of developed PhD Curriculum draft– P1/P9

(foreseen due date: 15-12-2017)

WG3 Task 3.4 Develop b-learning materials for MPs and PhD

(foreseen due date for 1st phase: 15-10-2017)

- Presentation of developed teaching and learning materials for DRM&FSE
MPs



CONTENT OF EVENT (UNS)

WG4 Task 4.1 Accredited MPs

(foreseen due date for 1st phase: 15-10-2017)

- Presentation of Report on accredited MPs – P1

WG4 Task 4.2 Enroll the Master students

(foreseen due date for 1st phase: 15-10-2017)

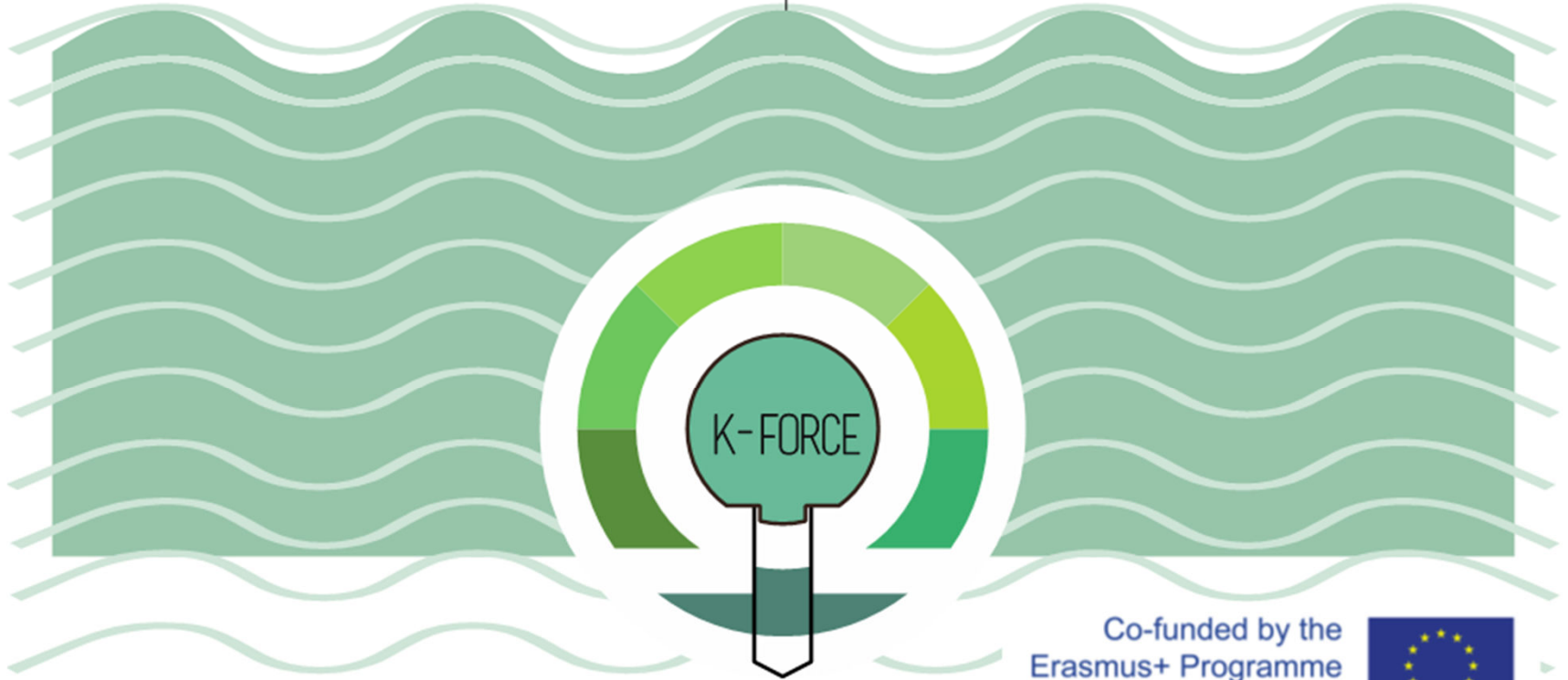
- Presentation of Report on students enrolled on master studies – P1

WG4 Task 4.3 Activate flexible ICT learning platform

(foreseen due date : 15-10-2017)

- Presentation of Report on activated flexible ICT learning platform – P1





Thank you for your attention

Contact info about the presenter:

Prof. Dr Sci. Vlastimir Radonjanin, Ass. Prof. Dr Sci. Mirjana Laban

radonv@uns.ac.rs

mlaban@uns.ac.rs

Knowledge FOr Resilient soCiEty